

## DH-IPC-HDB4200C

---

### 2 Megapixel Water-Proof & Vandal-Proof Network Dome Camera



#### Features

- 1/3" 2Megapixel progressive scan Exmor CMOS
- H.264& MJPEG dual-stream encoding
- Max 25/30fps@1080P(1920×1080)
- Day/Night(Electronic), 3DNR, Auto iris, AWB,AGC,BLC
- Multiple network monitoring: Web viewer, CMS(DSS/PSS) & DMSS
- 3.6mm fixed lens (2.8mm,6mm optional)
- Micro SD memory, IP66, IK10, PoE

# DH-IPC-HDB4200C

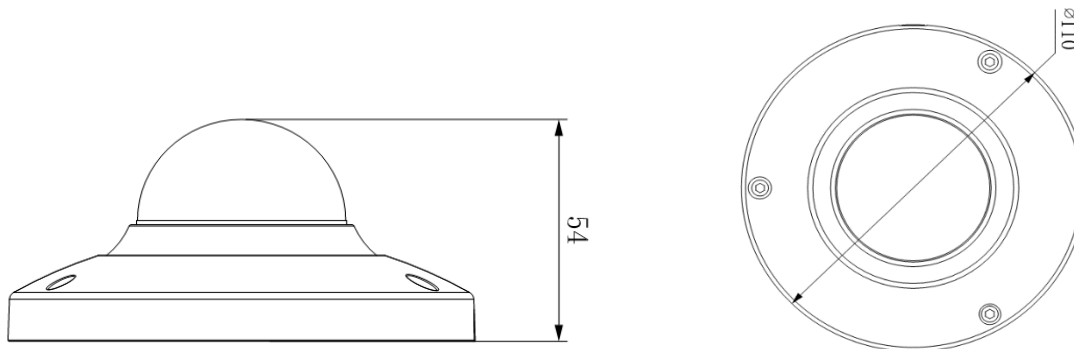
## Technical Specifications

Model	DH-IPC-HDB4200CP	DH-IPC-HDB4200CN
<b>Camera</b>		
Image Sensor	1/3" 2Megapixel Exmor CMOS	
Effective Pixels	1920(H)x1080(V)	
Scanning System	Progressive	
Electronic Shutter Speed	Auto/Manual 1/3~1/10000	Auto/Manual 1/4~1/10000
Min. Illumination	0.01lux/F1.2(color)	
S/N Ratio	More than 50db	
Video Output	N/A	
<b>Camera Features</b>		
Max. IR LEDs Length	N/A	
Day/Night	Auto(Electronic)/Color/B/W	
Backlight Compensation	Off/BLC/HLC/DWDR	
White Balance	Auto/Manual	
Gain Control	Auto/Manual	
Noise Reduction	3D	
Privacy Masking	Up to 4 areas	
<b>Lens</b>		
Focal Length	3.6mm (2.8mm,6mm)	
Max Aperture	F1.8	
Focus Control	Fixed Lens	
Angle of View	H:70°(97.24°/46°)	
Lens Type	Manual/Auto Iris (DC)	
Mount Type	Board-in Type	
<b>Video</b>		
Compression	H.264/ MJPEG	
Resolution	1080P(1920×1080)/720P(1280 × 720)/ D1(704×576)/ CIF(352× 288) /	1080P(1920×1080) / 720P(1280× 720) / D1(704×480) / CIF(352× 240) /
Frame Rate	Main Stream	1080P/720P(1 ~ 25/30fps)
	Sub Stream	D1/CIF(1 ~ 25/30fps)
Bit Rate	H.264: 32K ~ 8192Kbps	
<b>Audio</b>		
Compression	N/A	
Interface	N/A	
<b>Network</b>		
Ethernet	RJ-45 (10/100Base-T)	
Wi-Fi	N/A	
Protocol	IPv4/IPv6, HTTP, HTTPS, SSL, TCP/IP, UDP, UPnP, ICMP, IGMP, SNMP, RTSP, RTP, SMTP, NTP, DHCP, DNS, PPPOE, DDNS, FTP, IP Filter, QoS, Bonjour	

## DH-IPC-HDB4200C

ONVIF	ONVIF Profile S
Max. User Access	20 users
Smart Phone	iPhone, iPad, Android, Windows Phone
<b>Auxiliary Interface</b>	
Memory Slot	Micro SD, Max 32GB
RS485	N/A
Alarm	N/A
PIR Sensor Range	N/A
<b>General</b>	
Power Supply	DC12V, PoE (802.3af)
Power Consumption	<3W
Working Environment	-20°C~+60°C, Less than 95% RH
Ingress Protection	IK10
Vandal Resistance	IP66
Dimensions	Φ110mm×54mm
Weight	0.25kg

### Dimensions (mm)



#### Dahua Technology Co., Ltd.

1187BinAn Road, Binjiang District, Hangzhou, China

Tel: +86-571-87688883

Fax: +86-571-87688815

Email:overseas@dahuatech.com

www.dahuatechsecurity.com

\*Design and specifications are subject to change without notice.

© 2013Dahua Technology Co., Ltd.